

(5(66(63(,12:6
1,12:(//6



ZLMDQGRXWLMQWHQGHGRQOQXVGH DQG LVEDVHG LQSDUWRQWHLQ QQHVRWD 5HVLGHQWLDO RGH
)ULGOH LWRUGLQDQEHVDQGDJRRGLQJ SUDEWLHEDH H YH UDWWHPSWDVEHHQ PDGHWR LQVXUHM
ERUUHEWQHVMRMOGRXWQRDXDUDQWHHV D UH PDGHWR LWD ERPSOHVHQHV 5HVS RQVLELOLW
ERPSOLDQEHZLWDSSOLEDEOHERGHVDQGRUGLQDQEHVIDOORUFRQWVZQWRUMSH LLELTXHWWLRQV
UHJDUGLQJFRGHUHTXLUHPPHQWUHHUWRWHDSSORUFRQWVFEWRXUOREDOKLOGLQJHSDUWPHQW

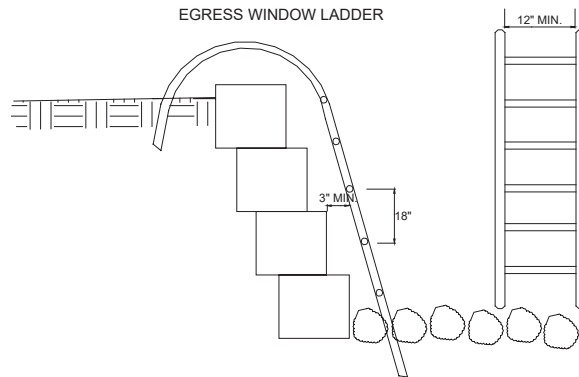
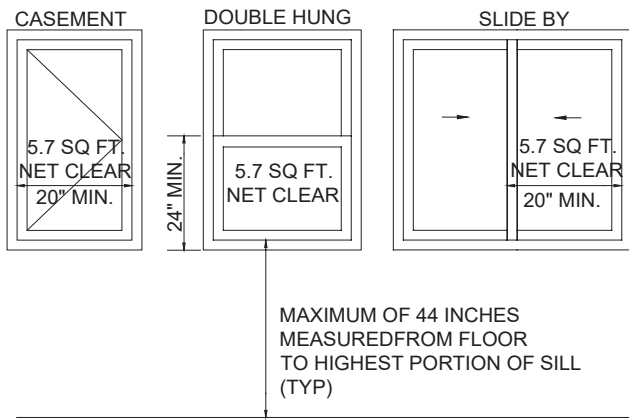
SCOPE

If you are planning on adding a bedroom, a permit is required for this work. You must have a second means of egress in either a window or a door. This egress must be on an exterior wall. If a window is provided, it must meet certain standards as follows:

OXVWEHMTXDUHIBHWRIQHWEOH D U R S H Q L Q J

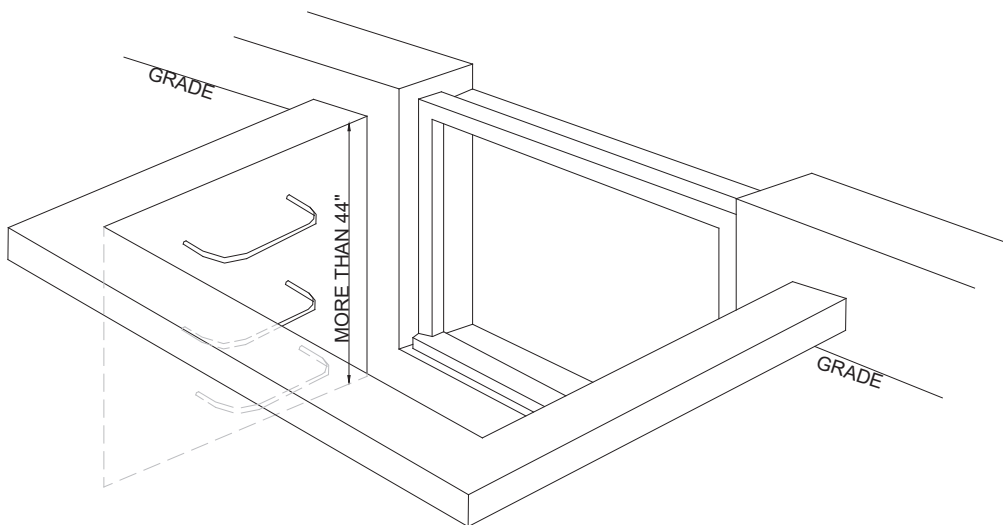
-

ESCAPE AND RESCUE WINDOWS

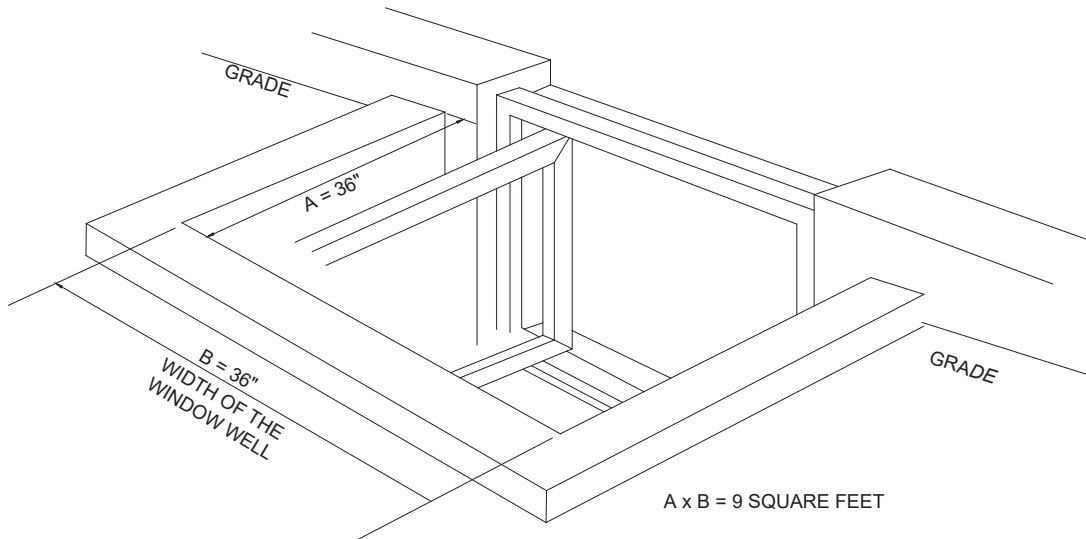


LADDERS OR RUNGS SHALL HAVE AN INSIDE WIDTH OF AT LEAST 12 INCHES, SHALL PROJECT AT LEAST 3 INCHES FROM THE WALL AND SHALL BE SPACED NOT MORE THAN 18 INCHES ON CENTER VERTICALLY FOR THE FULL HEIGHT OF THE WINDOW WELL.

ACCESS AND EXIT FACILITIES AND EMERGENCY ESCAPES

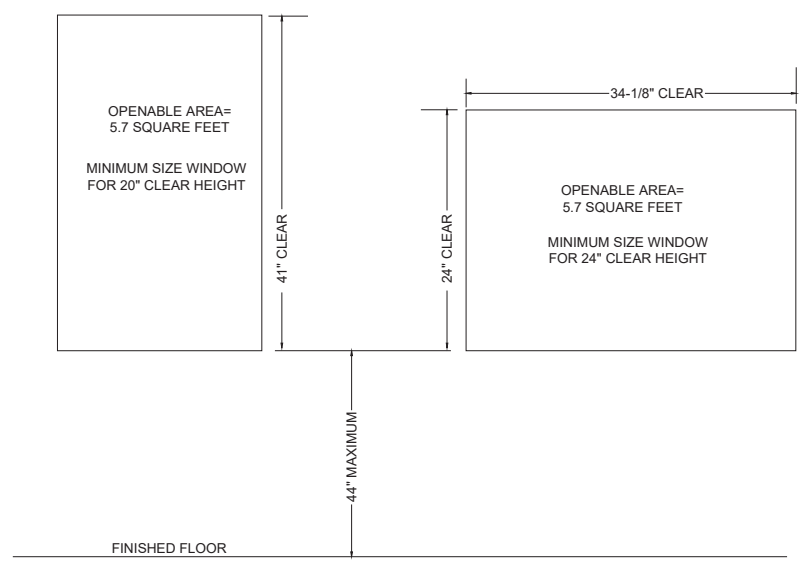


WINDOW WELLS WITH A VERTICAL DEPTH OF MORE THAN 44 INCHES SHALL BE EQUIPPED WITH AN APPROVED PERMANENTLY AFFIXED LADDER OR STAIRS THAT ARE ACCESSIBLE WITH THE WINDOW IN THE FULLY OPEN POSITION. THE LADDER OR STAIRS SHALL NOT ENCROACH INTO THE REQUIRE DIMENSIONS OF THE WINDOW WELL BY MORE THAN 6 INCHES.



THE CLEAR HORIZONTAL DIMENSIONS SHALL ALLOW THE WINDOW TO BE FULLY OPENED AND PROVIDE A MINIMUM ACCESSIBLE NET CLEAR OPENING OF 9 SQUARE FEET, WITH A MINIMUM DIMENSION OF 36 INCHES.

EMERGENCY ESCAPE AND RESCUE WINDOWS



Because so many fire-related casualties occur when occupants of residential buildings are asleep at the time of a fire, Section 310.1 of the 2020 Minnesota Residential Code (MNRC) that:

1. Basements of dwelling units; and
2. Every bedroom below the fourth story shall have at least one (1) operable window or door approved for emergency escape and rescue. This exit shall open directly into a public street, public alley, yard, or exit court. The units shall be operable to provide a full clear opening without the use of separate tools.

Extensive testing by the San Diego Building and Fire Departments established the minimum window size requirements found in Section 310.1.1:

1. The new Clear Opening area shall be no less than 5.7 square feet (0.53 m²).
2. In addition to the above requirement, the net clear openable height dimension shall be a minimum of 24 inches (610 mm). The net clear openable width dimension shall be a minimum of 20 inches (508 mm). Note that using both minimum figures will not obtain the required area.
3. The finished sill height shall be not more than 44 inches (1118 mm) above the floor.

Minimum Width/Height Requirements for Emergency Escape and Rescue Windows (inches*)
(1inch=25.4 mm)

Width	20	20.5	21	21.5	22	22.5	23	23.5	24	24.5	25	25.5	26	26.5	27
Height	41	40	39.1	38.2	37.3	36.5	35.7	34.9	34.2	33.5	32.8	32.2	31.6	31	30.4
Width	27.5	28	28.5	29	29.5	30	30.5	31	31.5	32	32.5	33	33.5	34	34.2
Height	29.8	29.3	28.8	28.3	27.8	27.4	26.9	26.5	26.1	25.7	25.3	24.9	24.5	24.1	24